



Hüntelmann

Welcome!

www.huentelmann.com



by Sven Schübler
and Lennard Schmits



Hüntelmann

Company

Hüntelmann Holding



140 employees



Hüntelmann
Oberflächentechnik



Hüntelmann

MASCHINEN- UND STAHLBAU GMBH & CO. KG



Hüntelmann

DRAINAGE-MASCHINEN GMBH



Hüntelmann

Oberflächentechnik



- 1988** Company foundation in Sögel
- 1989** Move to Werpeloh
New building with a production area of 600 m²
- 1990 - 2006** Continuous upgrading of the manufacturing area to 13 500 m²
- 2007** Startup of the Hüntelmann Surface Technologies with a manufacturing area of 5 000 m² for cathodic dip coating (CDC) and powder coating including wet painting.
- 2009** Taking over the Drainage Machines Division including the spare parts supply from Dynapac GmbH
- 2011** Continuous upgrading of the manufacturing area to 15 500 m²
- 2017** New building of an assembly hall
- 2022** New building of a production hall (laser cutting and storage)
- Now** 17.800m² manufacturing area



From a village smithy to a modern industrial plant





Hüntelmann

Steel Construction



Hüntelmann

MASCHINEN- UND STAHLBAU GMBH & CO. KG



Hüntelmann

Steel Construction



Railway systems



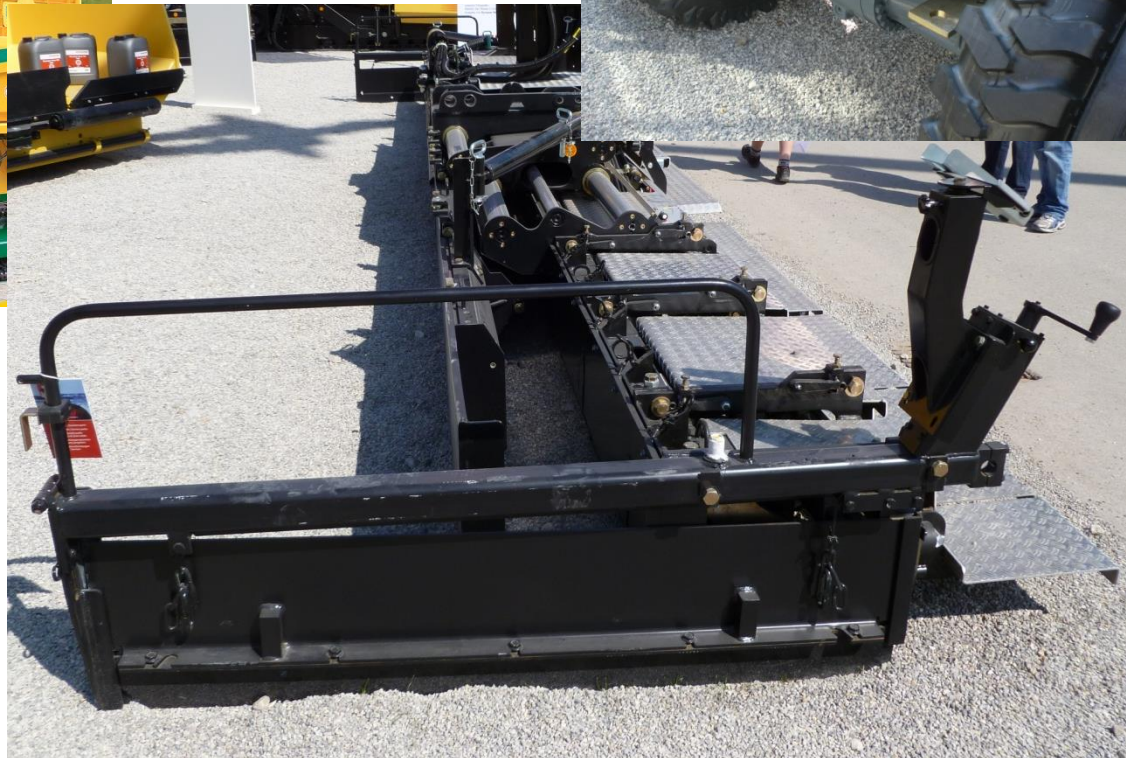


Wind energy sector





Machinery Construction





Hüntelmann

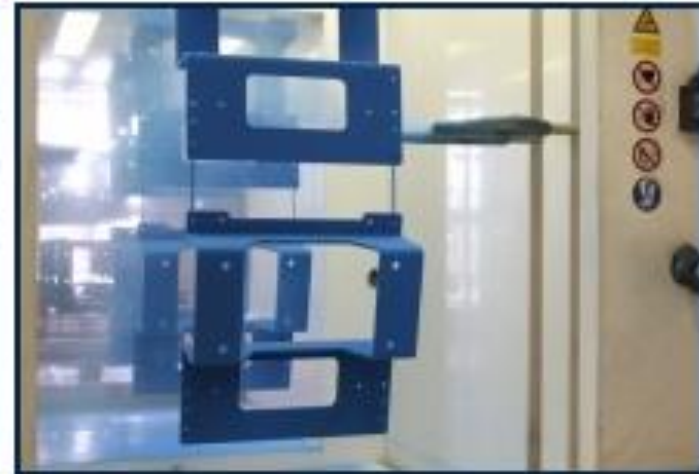
Surface Technology



Hüntelmann
Oberflächentechnik



**Surface finishing
cathodic dip coating (CDC) and powder coating;
wet painting**





Range of applications

- Land drainage
- Electrical cables, cables and wires of all types
- Dewatering

Types

- Gigant (Trencher)
 - 1900
 - 3000
 - 3600
- Titan (Trenchless Plow)
 - 785
 - 786

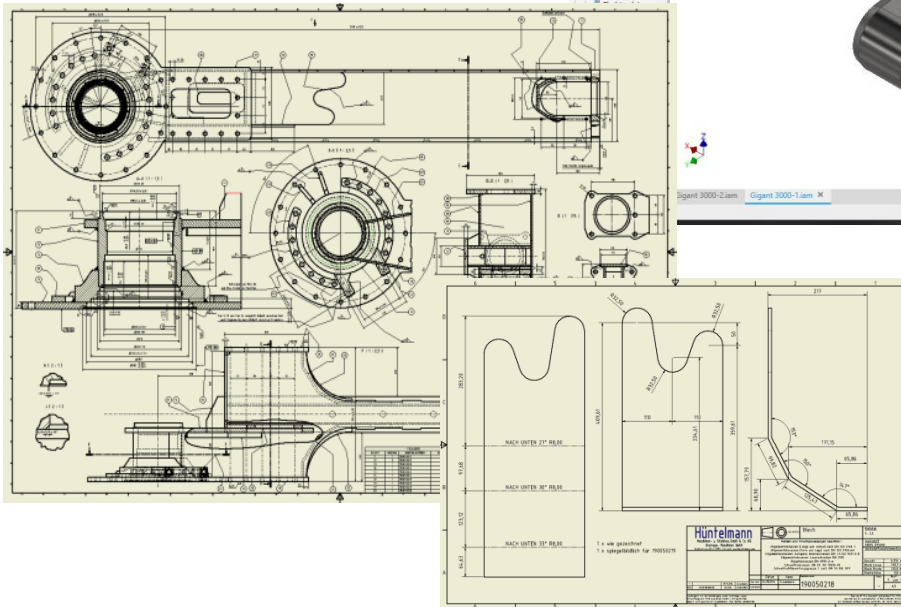
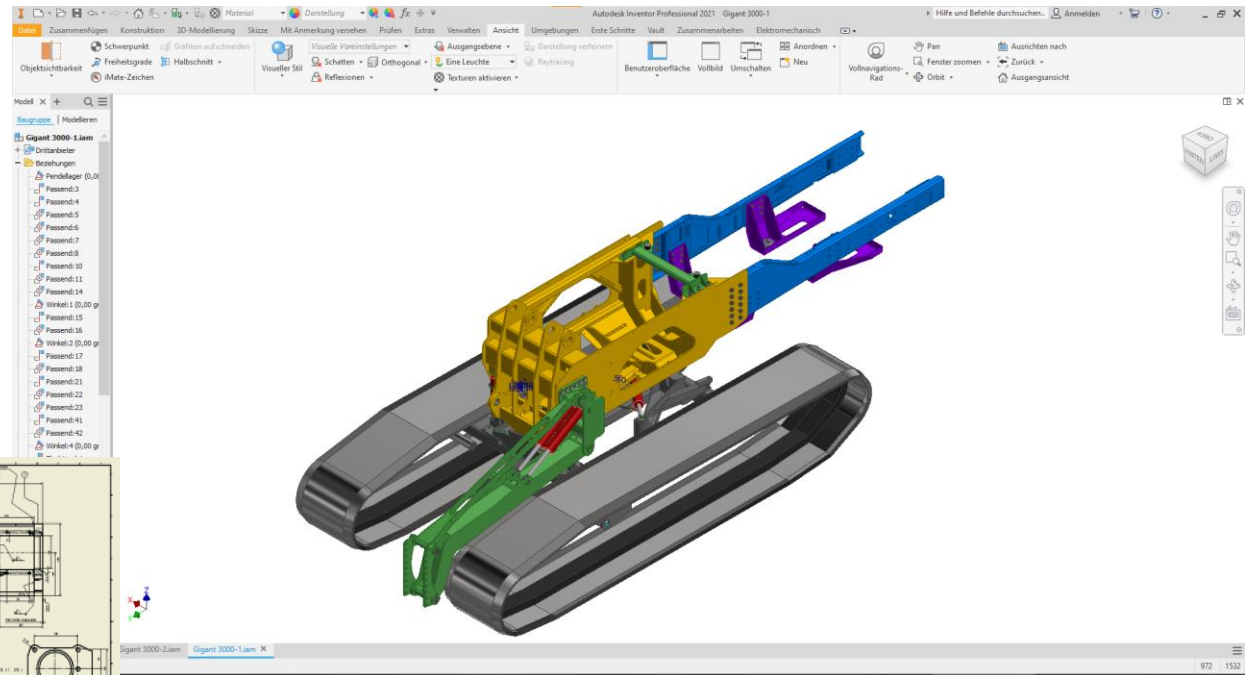


Old Dynapac machines





Assembly drawing
Part drawing
Bills of material
Spare parts catalogue



detailed modeling of assembly groups and the individual parts



VOLVO PENTA

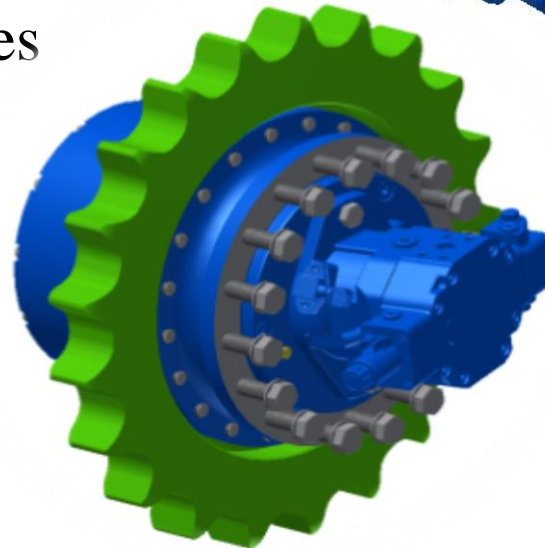
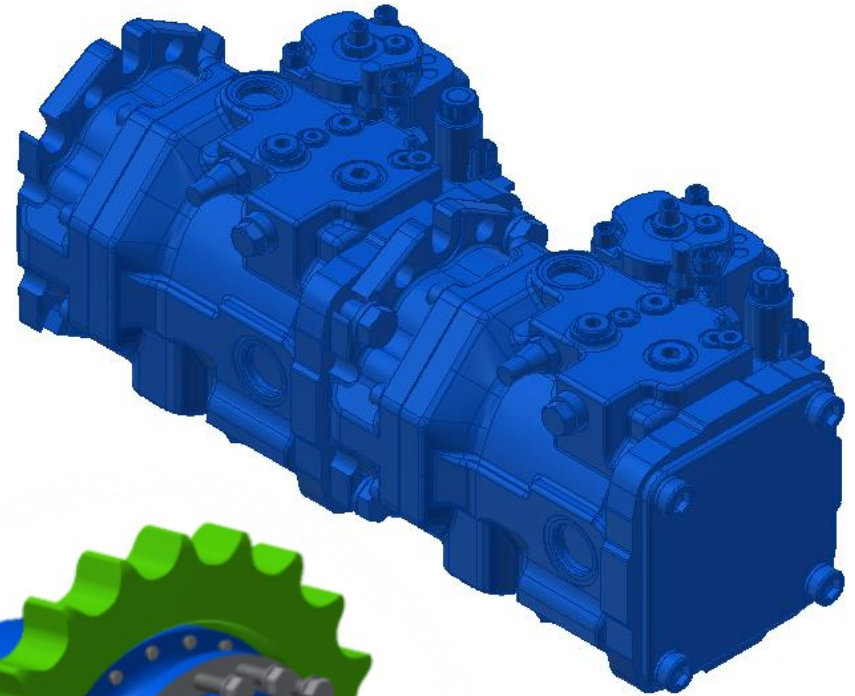
- 6 cylinder
- 7.7L to 12.8L (or more)
- 285 to 405 kW
- Tier 5





Drive pumps:
Bosch Rexroth
Axial piston variable pump

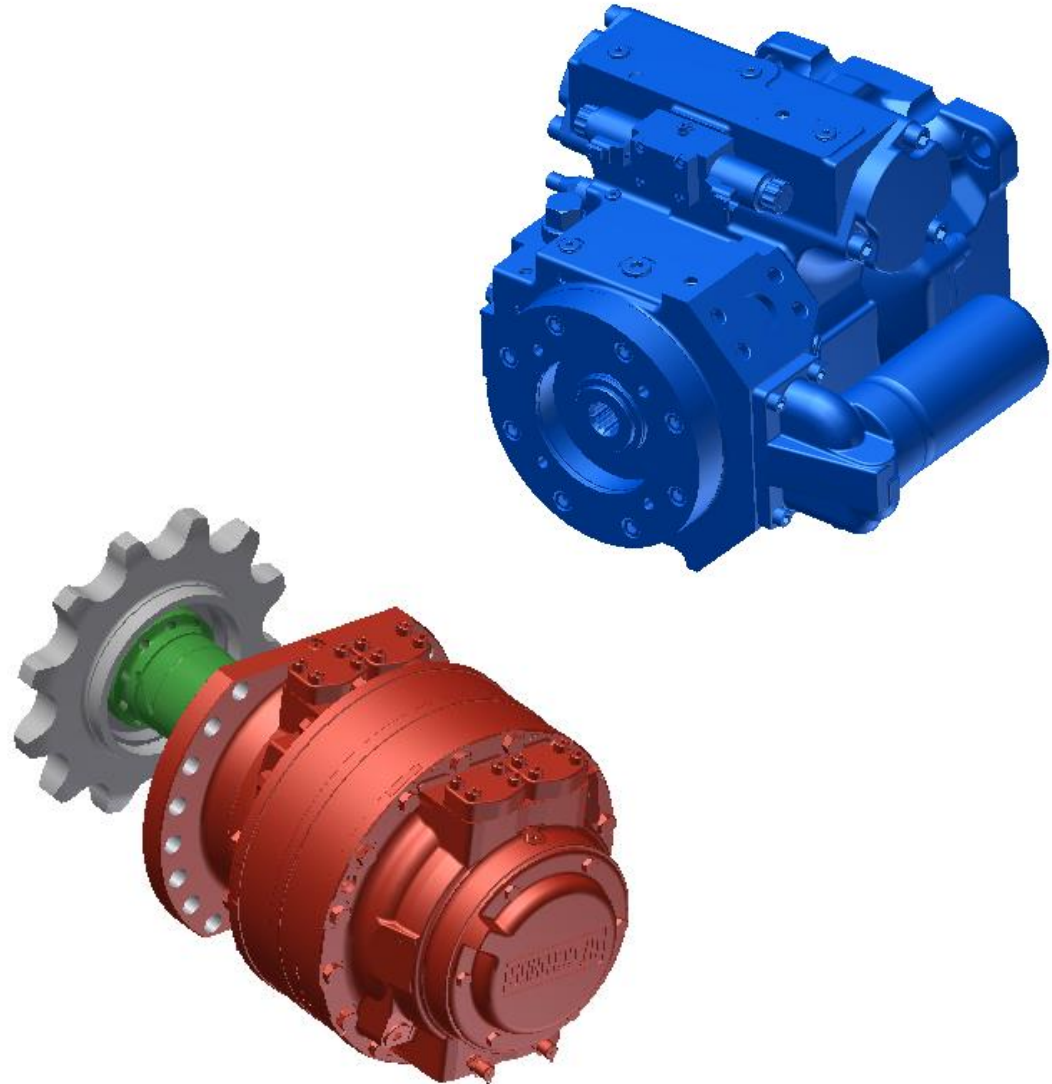
Motor with planetary gearboxes
Bosch Rexroth
Axial piston motor
+ gear box





Trenching pump:
Bosch Rexroth
Variable Axial piston pump

Trenching motor:
Hägglunds
Radial piston motor



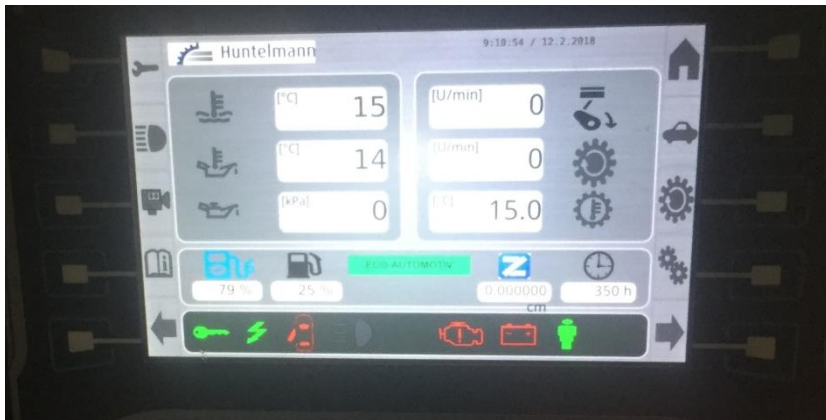
Mobile electronics

- Synchronous control for straight driving
- Automotive driving possible (optional)
- ECO drive system to reducing fuel consumption
- limit load control
- automatic Fan control
- remote maintenance via GPS
- Visualization and monitoring





Visualization and monitoring



- Successor of the Gigant 1800 from Dynapac
- First Trencher with a hydraulic chain drive from Hüntelmann



- Crawler unit: D2; oscillating
- Digging unit from 0 – 2m
- Operating weight: from 16t to 18t
- customer requests possible



- New development with all the know-how and the design from the Gigant 1900
- First delivery June 2020



- Accessory from Gigant 1900 fits
- Crawler unit: D5; oscillating
- Digging depth from 0m to 3m (more is optional)
- Operating weight: under 22t
- Transport width: under 3m
- customer requests possible



- For dewatering and deep trenching
- Basic machine: Gigant 3000
- Change between the working booms is possible
- Standard digging depth: 4.5m (more is optional)





- New development with all the know-how and the design from the Gigant-Series
- Plowing depth: max. 1.90m
- Crawler unit: D5; oscillating
- Operating weight: from 22t to 27t





- Operating weight: from 27t to 36t
- Crawler unit: D7; oscillating
- digging depth: 1.90m (more is optional)
- New cover design will be like the Titan 785
- customer requests possible

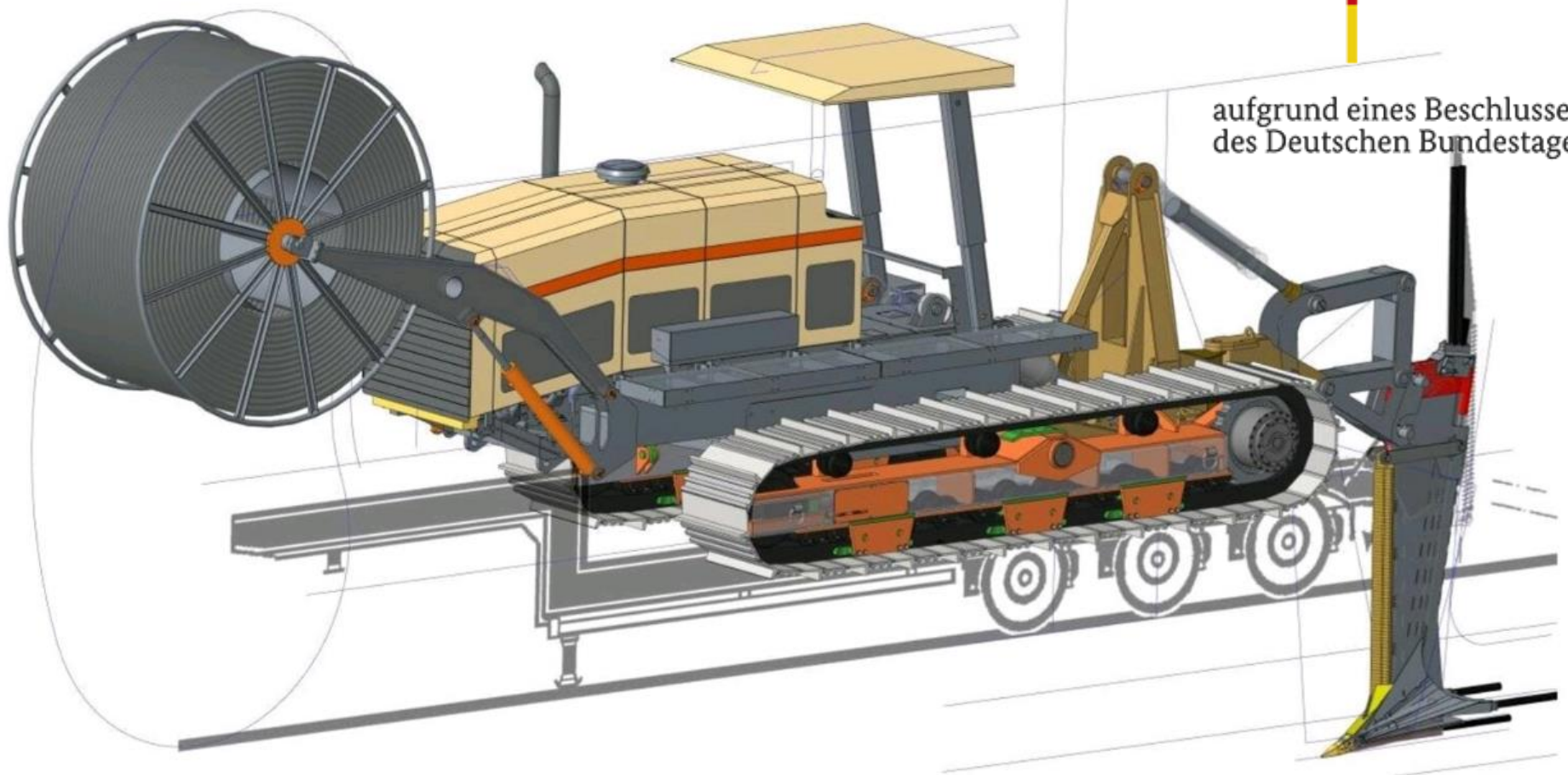


Gefördert durch:



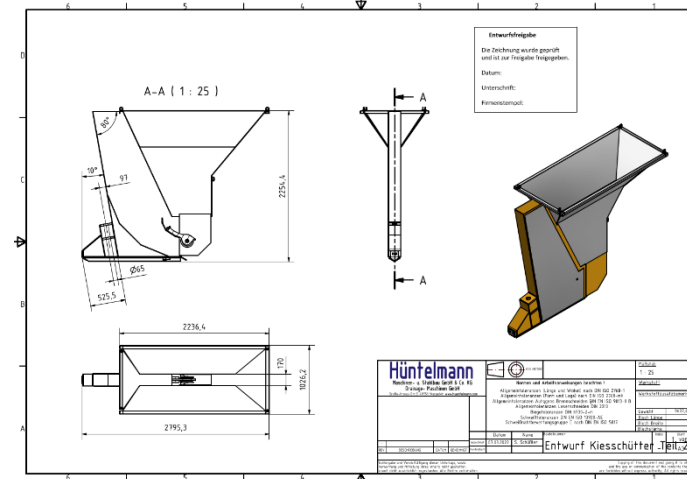
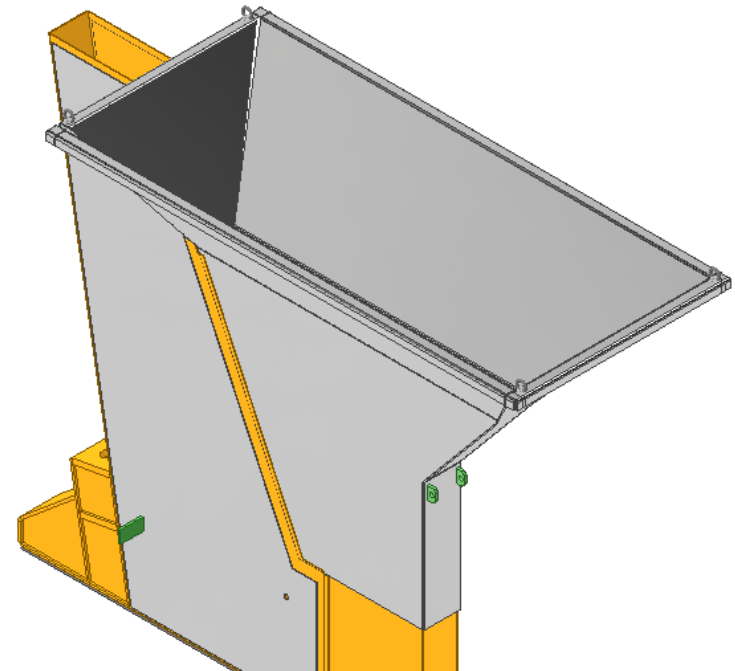
Bundesministerium
für Wirtschaft
und Energie

aufgrund eines Beschlusses
des Deutschen Bundestages





- You can give us your ideas and wishes
- We will make first sketches and an offer
- When you order your custom product we will do the final drawings
- When you approve our development we will build your product in house





BGS Täckdikningsmaskiner AB

Address: Norrgårdsgatan 9, 686 35 Sunne

E-Mail: info@tackdikning.se

Tel: 559329-5958

Contact persons:

- **Erik Lindh**

Mobil: +4670-656 20 11

erik.lindh@tackdikning.se

- **Tomas Krook**

Mobil: +4676-807 76 77

tomas.krook@tackdikning.se





Hüntelmann

We See You There!

April 2025
Munich

bauma

Or earlier during a
personal meeting?



 www.huentelmann.com



Tack för din uppmärksamhet!

